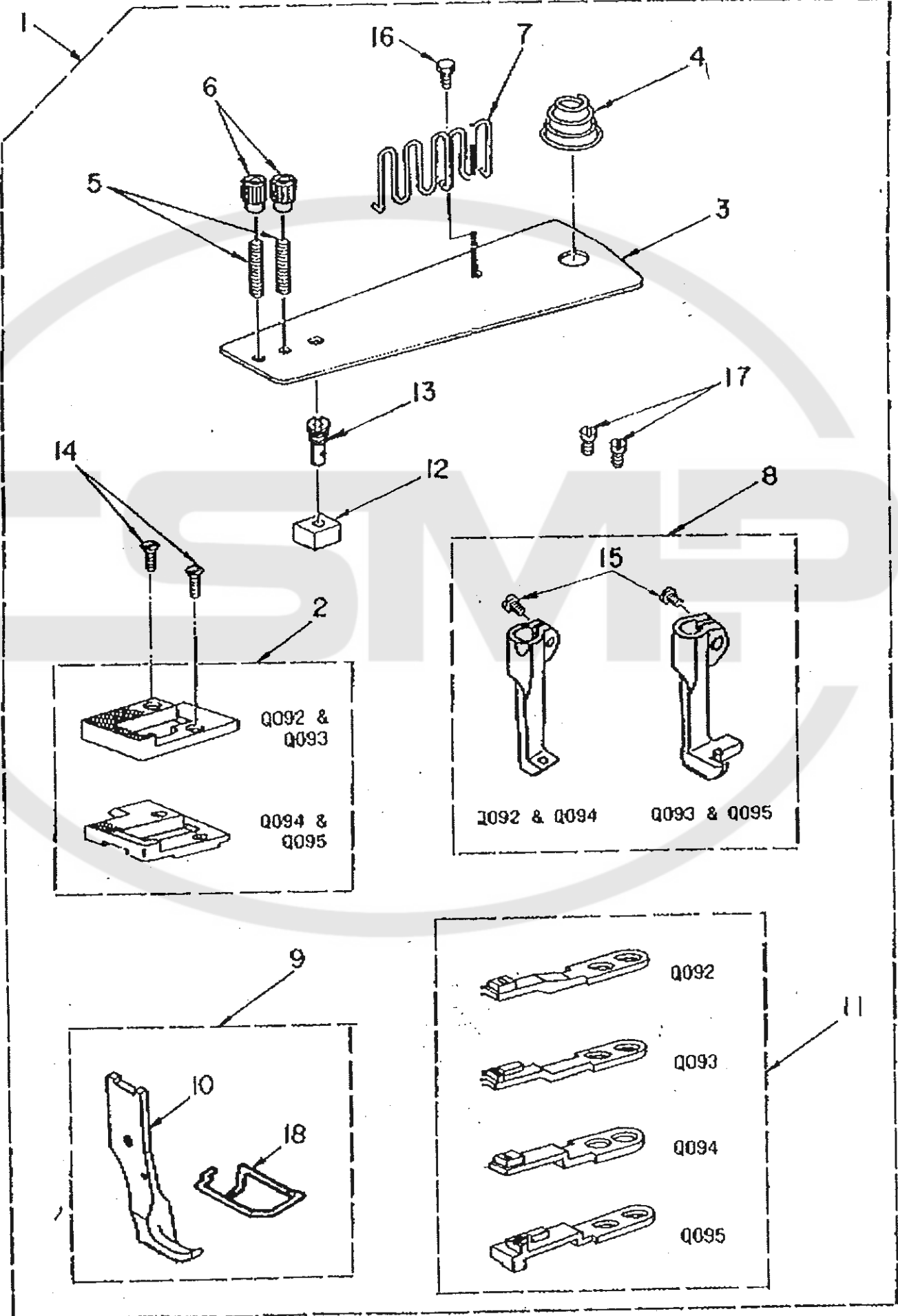


Q092 · Q093  
Q094 · Q095 Tape attachment

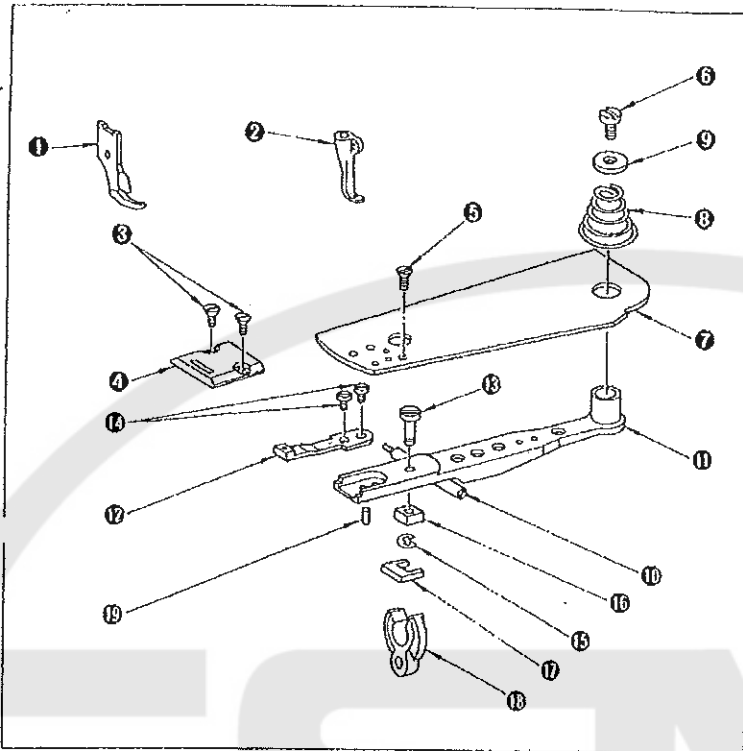


Ref. no.	Applicable model	DSC-245		DSC-245-4		Q/ty req.
	For tape width	12 - 22 mm	over 23 mm	12 - 22 mm	over 23 mm	
	Attachment code	Q 0 9 2	Q 0 9 3	Q 0 9 4	Q 0 9 5	
1	Set number	HAQ-092000A0	HAQ-093000A0	HAQ-094000A0	HAQ-095000A0	
2	THROAT PLATE	HAQ-09201000	HAQ-09201000	HAQ-09401000	HAQ-09401000	1
3	BED-TOP COVER	HAQ-09202000	HAQ-09202000	HAQ-09402000	HAQ-09402000	1
4	SPRING FOR BED-TOP COVER	HAQ-09203000	HAQ-09203000	HAQ-09203000	HAQ-09203000	1
5	SET-SCREW FOR BINDER	HAQ-09204000	HAQ-09204000	HAQ-09204000	HAQ-09204000	2
6	LOCK-NUT FOR BINDER	HAQ-09205000	HAQ-09205000	HAQ-09205000	HAQ-09205000	2
7	TAPE GUIDE	HAQ-09206000	HAQ-09206000	HAQ-09206000	HAQ-09206000	1
8	WALKING FOOT	HAQ-09207000	MAN-10452000	HAQ-09207000	MAN-10452000	1
9	PRESSER FOOT ASH.	HAQ-092080A0	HAQ-093080A0	HAQ-092080A0	HAQ-093080A0	1
10	PRESSER FOOT	HAQ-09208000	HAQ-09308000	HAQ-09208000	HAQ-09308000	(1)
11	FEED DOG	HAQ-09209000	MAN-10451000	HAQ-09409000	MAN-10451000	1
12	FEED-BAR BLOCK	HAQ-09210000	HAQ-09210000	HAQ-09210000	HAQ-09210000	1
13	HINGE-STD FOR FEED-BAR	HAQ-09211000	HAQ-09211000	HAQ-09411000	HAQ-09411000	1
14	SCREW 11/64-40 L=8.7	SS-2110930-SP	SS-2110930-SP	SS-2110930-SP	SS-2110930-SP	2
15	SCREW 11/64-40 L=6.5	SS-6110710-TP	SS-6110710-TP	SS-6110710-TP	SS-6110710-TP	(1)
16	SCREW 11/64-40 L=5	SS-7110510-SP	SS-7110510-SP	SS-7110510-SP	SS-7110510-SP	1
17	SCREW 11/64-40 L=8.5	SS-7110910-SP	SS-7110910-SP	SS-7110910-SP	SS-7110910-SP	2
18	FINGER GUARD	103-37905	103-37905	103-37905	103-37905	(1)

# WHAT TO REMOVE

## 31. HOW TO CHANGE FROM ELLIPTICAL FEED TO HORIZONTAL FEED

This model can be changed to horizontal feed suitable for attaching tapes by replacing parts.



### 1. Removing process

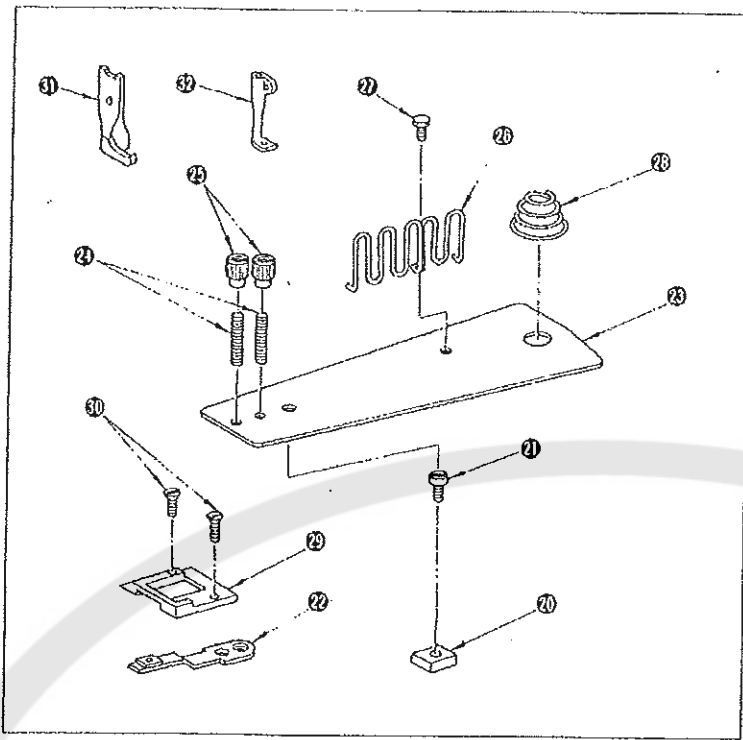
- 1) Remove presser foot ① and walking foot ②.
- 2) Loosen throat plate setscrew ③ and remove throat plate ④.
- 3) Loosen setscrew ⑤ and cap screw ⑥, and remove bed top cover ⑦, bed top cover spring ⑧ and feed bar hinge stud cap ⑨.
- 4) Remove spring support shaft ⑩.
- 5) Remove feed bar ⑪. (At this time, remove it with feed ⑫ and feed bar hinge stud ⑬, etc. mounted.)
- 6) Remove setscrew ⑭ to remove feed ⑫ from feed bar ⑪.
- 7) Remove E ring ⑮, and remove feed bar block ⑯ from feed bar hinge stud ⑬.
- 8) Loosen feed bar hinge stud ⑬ and remove it from feed bar ⑪.
- 9) Remove feed bar block ⑰ from feed bar rocker arm ⑱. (it is unnecessary to remove ⑱.)
- 10) Remove upper/lower feed pin ⑲.

### List of parts to be removed

Note	No.	Part No.	Part Name	Q'ty	Remarks
	1	B1524245000	Presser foot	1	
	2	B1470245000	Walking foot	1	
	3	SS2110915SP	Throat plate setscrew	2	11/64 threads 40, L=8.5
	4	B1105245000	Throat plate	1	
*		D1105245E00	Throat plate	1	
	5	SS2090710SP	Bed top cover setscrew	1	9/64 threads 40, L=7
*	6	B1653245000	Feed bar cap screw	1	9/64 threads 40, L=10
	7	B1173245000	Bed top cover	1	
*		D1173245E00	Bed top cover	1	
	8	B1175245000	Bed top cover spring	1	
*	9	B1640245000	Feed bar hinge stud cap	1	
*	10	B1638245000	Spring support shaft	1	
*	11	B1606245000	Feed bar	1	
*		D1606245E00	Feed bar	1	
	12	B1613245000	Feed	1	
*		D1613245E00	Feed	1	
	13	B1645245000	Feed bar block hinge stud	1	
*	14	B1652245000	Feed bar setscrew	2	1/8 threads 44, L=3.7
	15	RE0300000K0	E ring	1	
	16	B1644245000	Feed bar block B	1	
	17	B1643245000	Feed bar block A	1	
*	18	B1603245000	Feed bar rocker arm	1	
	19	B163224500C	Upper/lower feed pin	1	

(Note) 1. \* marks mean the parts used succeeding after replacement.  
2. \* marks mean exclusive parts for DSC-245-4, -5.

# WHAT TO INSTALL



## 2. Installation process

- 1) Install feed bar block ⑳ on feed bar rocker arm ⑩ .
- 2) Install feed bar block hinge stud ㉑ on feed bar ① .
- 3) Temporarily install feed ㉒ on feed bar ① .
- 4) Install feed bar ① on which feed bar block hinge stud ㉑ and feed ㉒ have been mounted.
- 5) Install spring support shaft ⑩ .
- 6) Tighten feed ㉒ so that the needle locates in the center of needle hole.
- 7) Screw binder setscrew ㉔ into bed top cover ㉓ . At this time, install binder setscrew ㉔ after applying adhesive to it.
- 8) Screw binder lock nut ㉕ into binder setscrew ㉔ .
- 9) Install tape guide ㉖ on bed top cover ㉓ by tape guide setscrew ㉗ .
- 10) After performing 7), 8) and 9), install bed top cover ㉓ .
- 11) After installing bed top cover spring ㉘ and feed bar hinge stud cap ㉙ , tighten feed bar hinge stud cap screw ㉚ .
- 12) Install throat plate ㉛ and fix it by throat setscrew ㉜ .
- 13) Install presser foot ㉝ and walking foot ㉞ .

## ★ List of parts to be replaced

Note	No.	Part No.	Part Name	Q'ty	Remarks
	20	MAQ09210000	Feed bar block	1	
	21	MAQ09211000	Feed bar block hinge stud	1	
*		MAQ09411000	Feed bar block hinge stud	1	
	22	MAQ09209000	Feed	1	For attaching a narrow tape
		MAQ09309000	Feed	1	For attaching a broad tape
*		MAQ09409000	Feed (-4, -5)	1	For attaching a narrow tape
*		MAQ09509000	Feed (-4, -5)	1	For attaching a broad tape
	23	MAQ09202000	Bed top cover	1	
*		MAQ09402000	Bed top cover (-4, -5)	1	
	24	MAQ09204000	Binder setscrew	2	11/64 threads 40
	25	MAQ09205000	Binder lock nut	2	11/64 threads 40
	26	MAQ09206000	Tape guide	1	
	27	SS7110510SP	Tape guide setscrew	1	11/64 threads, 40, L=5
	28	MAQ09203000	Bed top cover spring	1	
	29	MAQ09201000	Throat plate	1	
*		MAQ09401000	Throat plate (-4, -5)	1	
	30	SS209030SP	Throat plate setscrew	2	11/64 threads, 40, L=8.5
	31	MAQ09208000	Presser foot	1	For attaching a narrow tape
		MAQ09308000	Presser foot	1	For attaching a broad tape
	32	MAQ09207000	Walking foot	1	For attaching a narrow tape
		MAQ09307000	Walking foot	1	For attaching a broad tape

tape width .  
12 - 22 mm  
Over 23mm  
12 - 22 mm  
Over 23mm .

12 - 22 mm  
Over 23mm  
12 - 22 mm  
Over 23mm .

- (Note) 1. \* marks mean exclusive parts for DSC-245-4, -6.  
2. Select a feed, a presser foot and a walking foot making them one set according to the tape width.